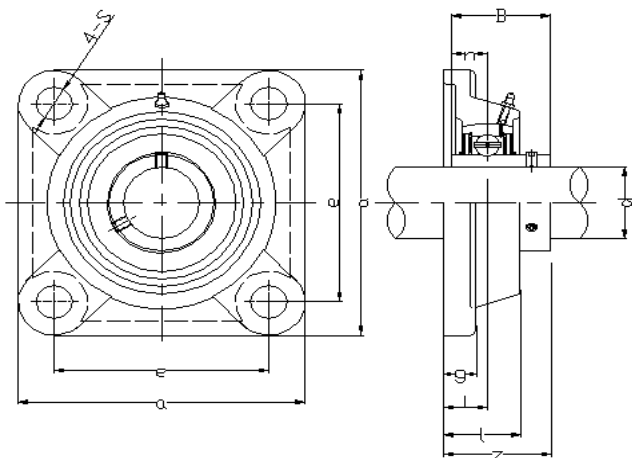


UCF 200 Series



Dimensions (mm)														Bearing Code
<i>d</i>	<i>a</i>	<i>e</i>	<i>i</i>	<i>g</i>	<i>l</i>	<i>s</i>	<i>z</i>	<i>B</i>	<i>n</i>	Thread	Bearing Unit	Housing	Weight kg	
20	86	64	15	12	25.5	12	33.3	31.0	12.7	M10	UC204	F204	0.560	UCF204
25	95	70	16	14	27	12	35.8	34.1	14.3	M10	UC205	F205	0.800	UCF205
30	108	83	18	14	31	12	40.2	38.1	15.9	M14	UC206	F206	1.120	UCF206
35	117	92	19	16	34	14	44.4	42.9	17.5	M14	UC207	F207	1.460	UCF207
40	130	102	21	16	36	16	51.2	49.2	19.0	M14	UC208	F208	1.840	UCF208
45	137	105	22	18	38	16	52.2	49.2	19.0	M14	UC209	F209	2.150	UCF209
50	143	111	22	18	40	16	54.6	51.6	19.0	M16	UC210	F210	2.420	UCF210
55	162	130	25	20	43	19	58.4	55.6	22.2	M16	UC211	F211	3.310	UCF211
60	175	143	29	20	48	19	68.7	65.1	25.4	M16	UC212	F212	4.280	UCF212
65	187	149	30	22	50	19	69.7	65.1	25.4	M16	UC213	F213	4.990	UCF213
70	193	152	31	22	54	19	75.4	74.6	30.2	M16	UC214	F214	5.850	UCF214
75	200	159	34	22	56	19	78.5	77.8	33.3	M16	UC215	F215	6.910	UCF215
80	208	165	34	22	58	23	83.3	82.6	33.3	M20	UC216	F216	7.500	UCF216
85	220	175	36	24	63	23	87.6	85.7	34.1	M20	UC217	F217	9.660	UCF217
90	235	187	40	24	68	23	96.3	96.0	39.7	M20	UC218	F218	12.060	UCF218